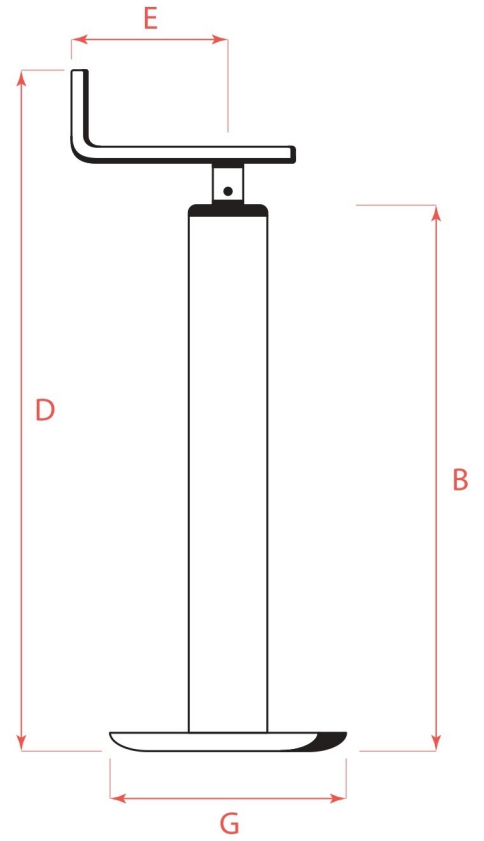
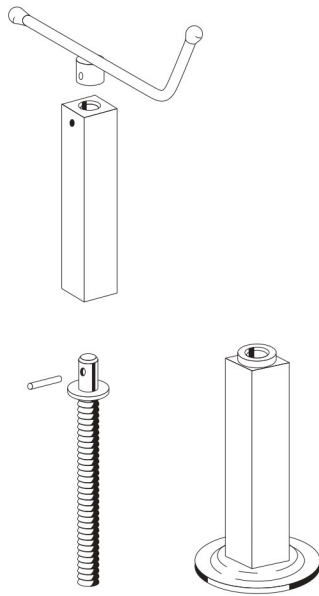
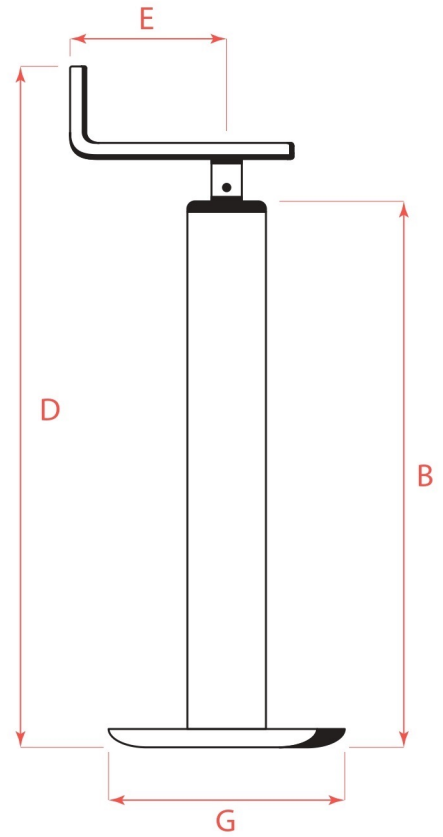
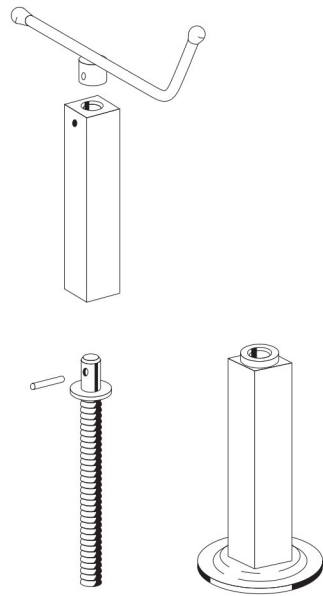


# APOYOS AGRICOLAS

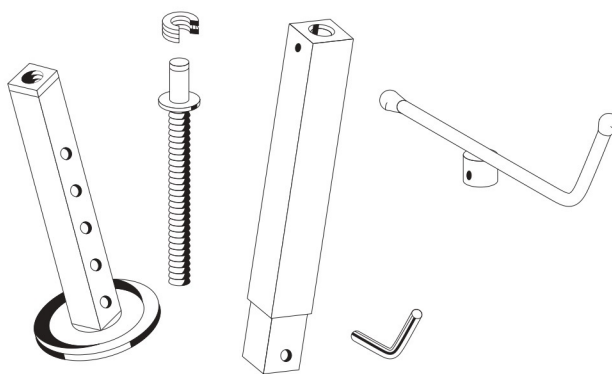
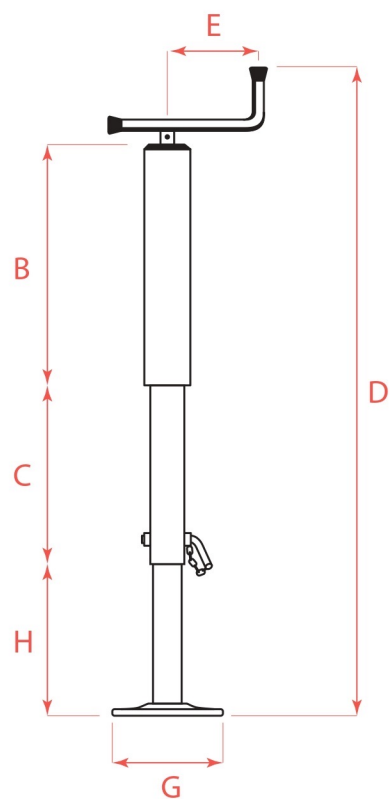




ART.	MOD. ■	B mm	D mm	E mm	ALLUNG. mm	G mm	PORTATA STATICA Kg
101	40x300	300	430	125	150	90	200
011200	40x400	400	560	125	230	90	200
102	40x500	500	630	125	330	90	200
103	40x600	600	730	125	430	90	200
011202	50x400	400	530	125	230	160	300
011205	50x500	470	630	125	330	160	300
106	50x600	570	730	125	430	160	300
107	50x700	670	830	125	530	160	300
018593	60x500	470	630	125	330	160	600
109	60x600	570	730	125	430	160	600
110	60x700	670	830	125	530	160	600

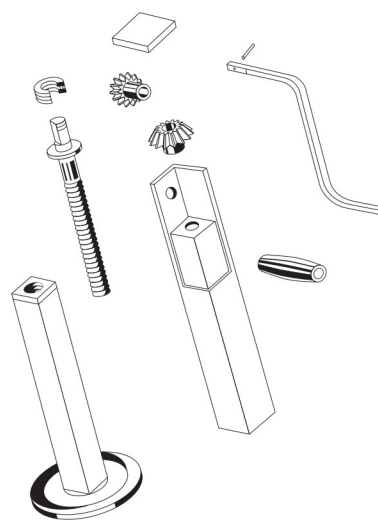
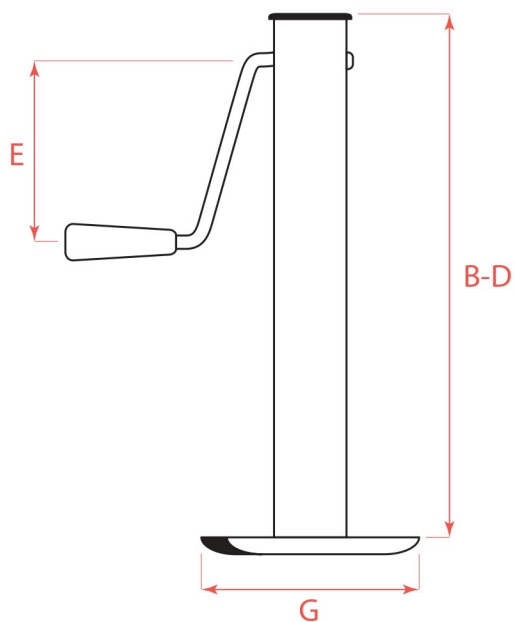


ART.	MOD. ■	B mm	D mm	E mm	ALLUNG. mm	G mm	PORTATA STATICA Kg
011203	50x400	400	560	125	230	160	500
53	50x500	500	660	125	330	160	500
54	50x600	600	760	125	430	160	500
55	50x700	700	860	125	530	160	500
011206	60x500	500	660	125	330	160	800
57	60x600	600	760	125	430	160	800
58	60x700	700	860	125	530	160	800
111	70x400	400	560	190	230	160	1000
011212	70x500	500	650	190	330	160	1000
60	70x600	600	750	190	430	160	1000
61	70x700	700	850	190	530	160	1000
011215	80x400	400	560	190	230	160	1200
011217	80x500	500	650	190	330	160	1200
011219	80x600	600	750	190	430	160	1200
64	80x700	700	850	190	530	160	1200

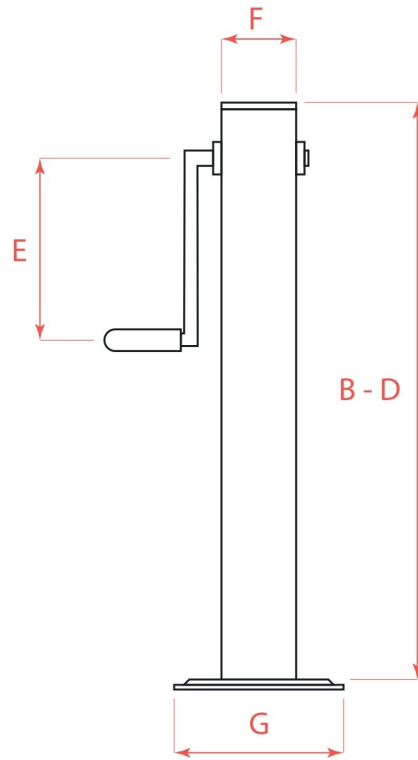


ART.	MOD. ■	B mm	C mm	H mm	D mm	E mm	G mm	PORTATA STATICA Kg
133	70x500 3F	500	330	300	1340	185	160	800
134	80x500 3F	500	330	300	1340	185	220	1000

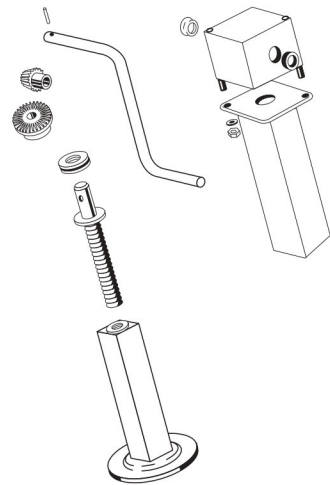
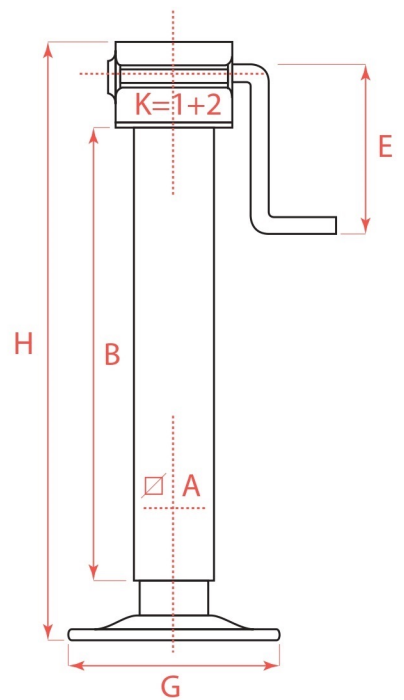




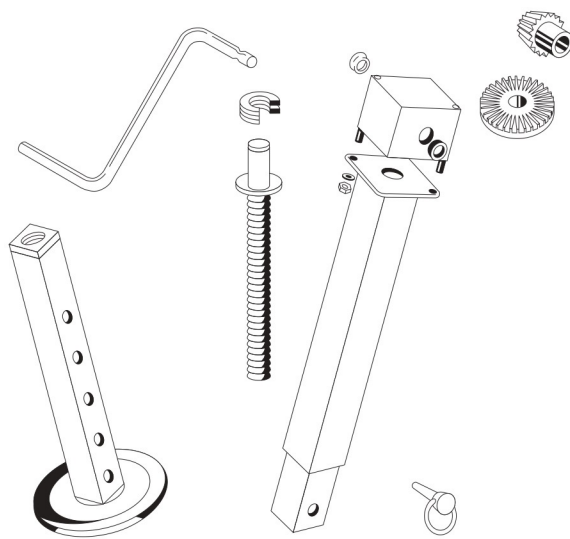
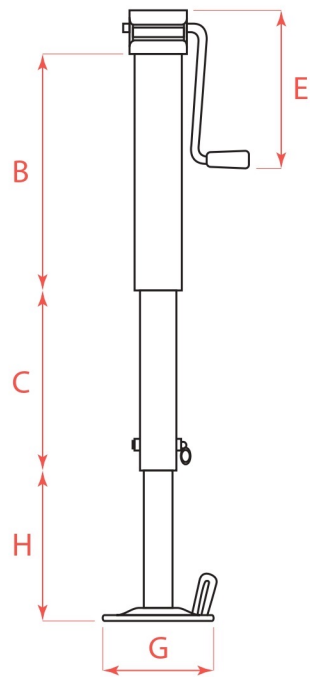
ART.	MOD. ■	B mm	D mm	E mm	ALLUNG. mm	G mm	PORTATA STATICA Kg
65	60x600	565	565	180	310	160	800
157	60x700	670	670	180	410	160	800
163	60x800	770	770	180	510	160	800



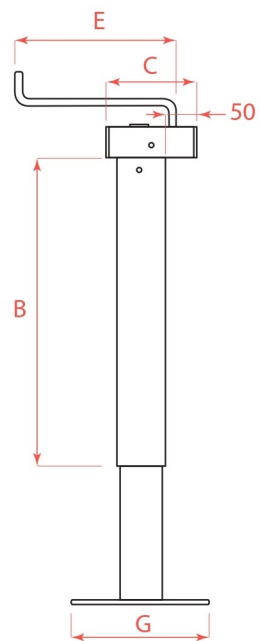
ART.	MOD. ■	B mm	D mm	E mm	F mm	ALLUNG. mm	G mm	PORTATA STATICA Kg
171	70x600	565	565	170	70	310	160/220	1500



ART.	MOD. ■	B mm	H mm	E mm	ALLUNG. mm	G mm	PORTATA STATICA Kg
020094	70x500	500	620	200	330	220	3000
020095	70x600	600	720	200	430	220	3000
020096	80x500	500	620	200	330	220	4000
020097	80x600	600	720	200	430	220	4000

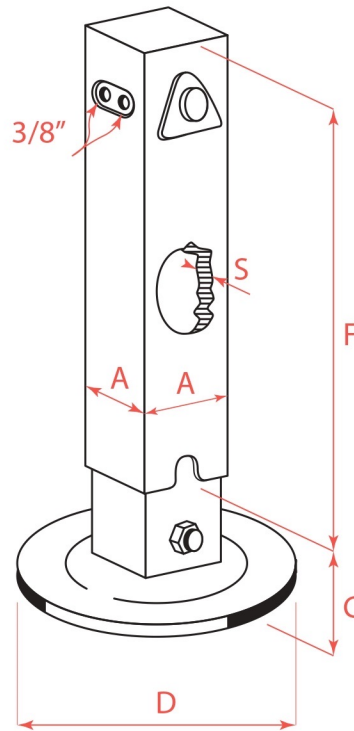


ART.	MOD. ■	B mm	C mm	H mm	E mm	G mm	PORTATA STATICA Kg
135	70x500 3F	500	350	330	200	220	2500
136	80x500 3F	500	350	330	200	220	3000

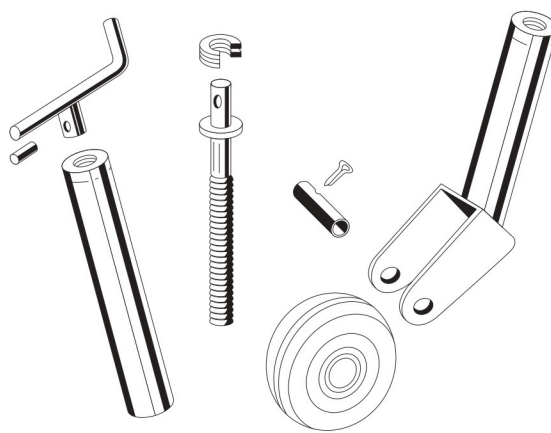
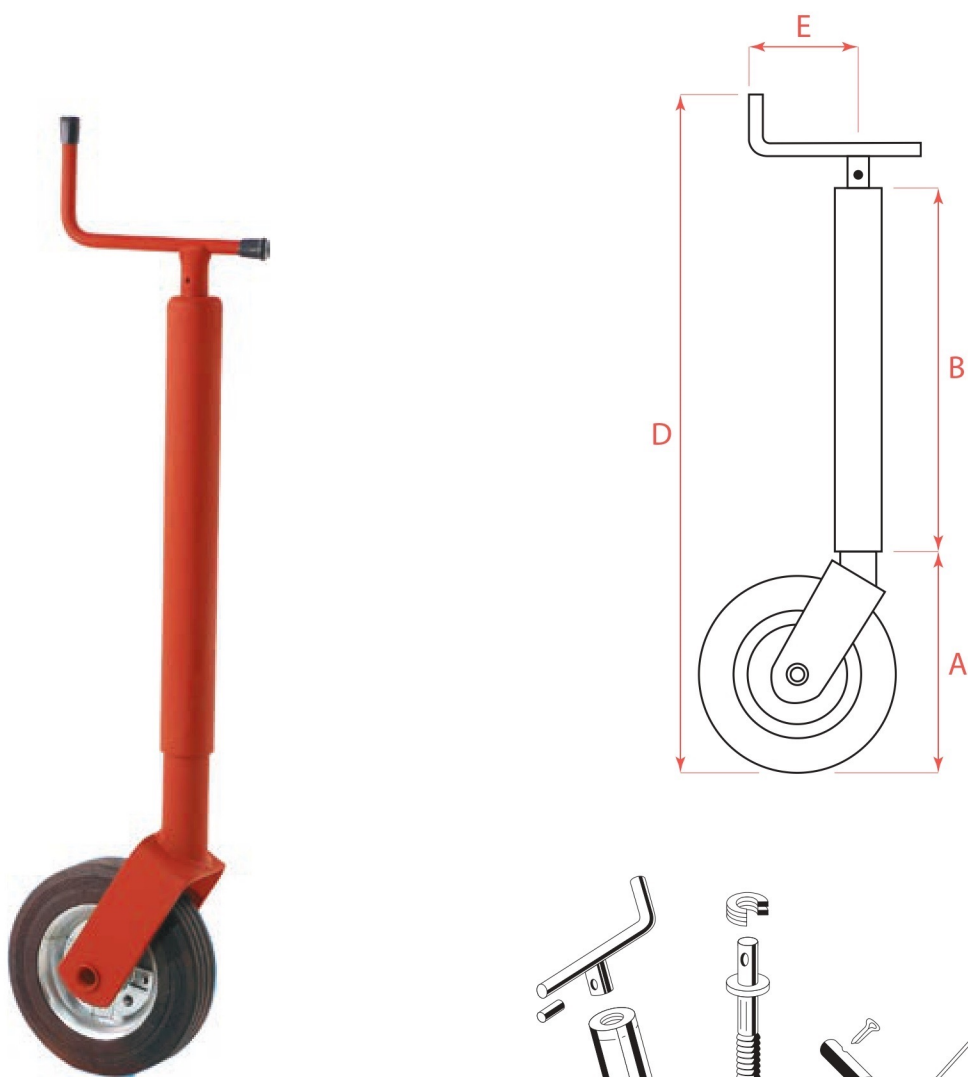


ART.	MOD. ■	B mm	E mm	C mm	ALLUNG. mm	G mm	PORTATA STATICA Kg
170	70x500	500	250	140	350	220	2500
169	80x500	500	250	140	350	220	3000

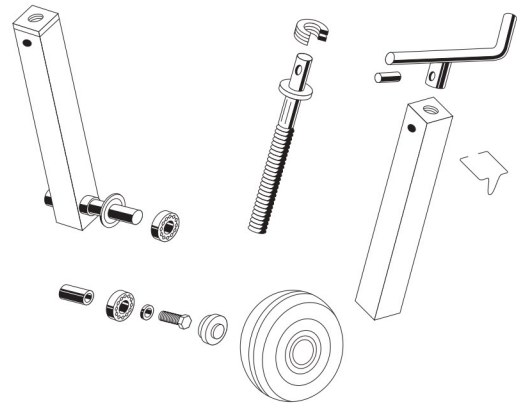
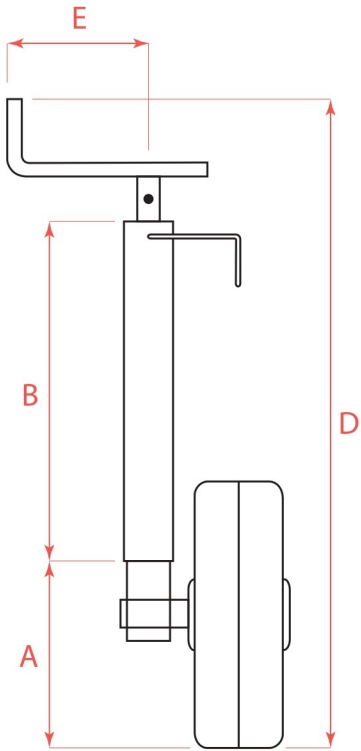




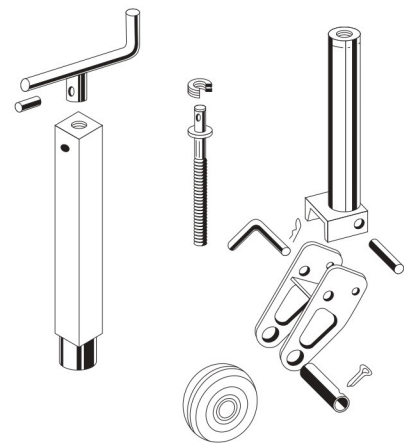
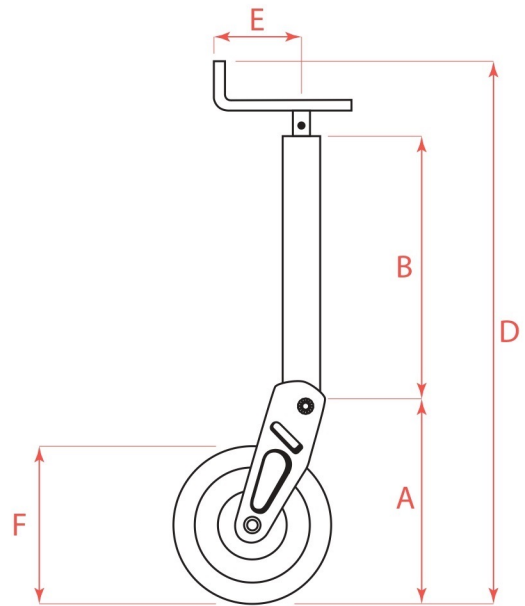
ART.	ALESAGGIO	CORSA mm	A mm	F mm	C mm	S mm	D mm	PORTATA A 150 BAR Kg
121	40	400	80	600	65	4	220	1700
87	40	500	80	700	65	4	220	1700
82	50	400	90	600	65	4	220	2650
83	50	500	90	700	65	4	220	2650
122	50	600	90	800	65	4	220	2650
84	60	400	100	600	65	4	280	3800
85	60	500	100	700	65	4	280	3800
123	60	600	100	800	65	4	280	3800
86	70	500	110	700	65	4	280	5200
152	70	500	120	700	65	4	280	5200
153	70	600	120	800	65	4	280	5200
154	70	600	120	800			280	5200



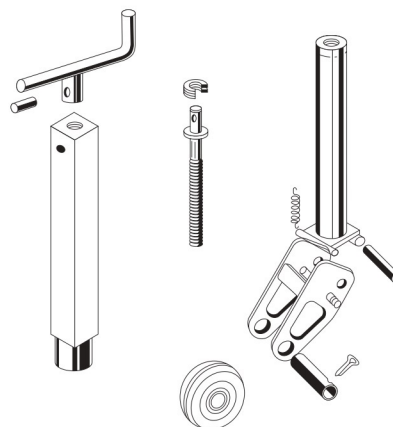
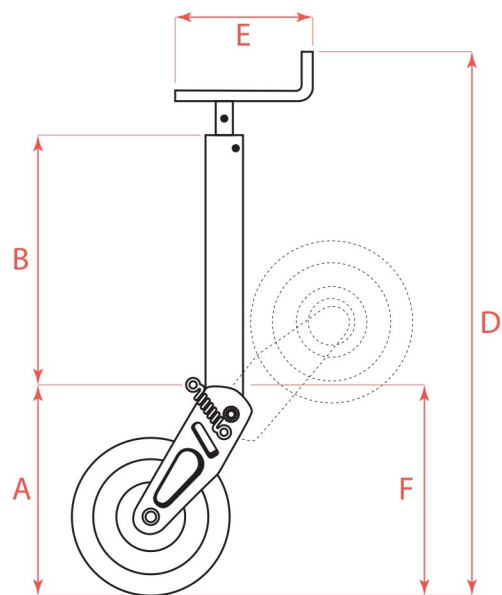
ART. ■	ART. ●	MOD.	B mm	D mm	E mm	A mm	RUOTA DI FERRO	RUOTA GOMMATA	PORTATA STATICA Kg
91	124	50x400	400	730	125	230	230x60		400
92	125	60x400	400	730	125	285	230x60		500
93	126	70x500	500	910	190	310	280x80		600
020091	148	50x400	400	720	125	220		200x50	200
020092	149	60x400	400	720	125	220		200x50	200
020093	150	70x500	500	960	190	290		250x80	300



ART.	MOD. ■	B mm	D mm	E mm	A mm	RUOTA FERRO	PORTATA STATICA Kg
94	60X500	470	780	125	165	300x100	600
95	70X500	470	800	190	175	300x100	800
96	80X500	470	800	190	175	300x100	1000

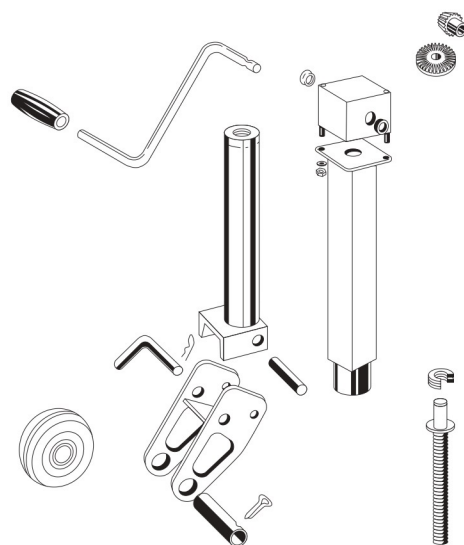
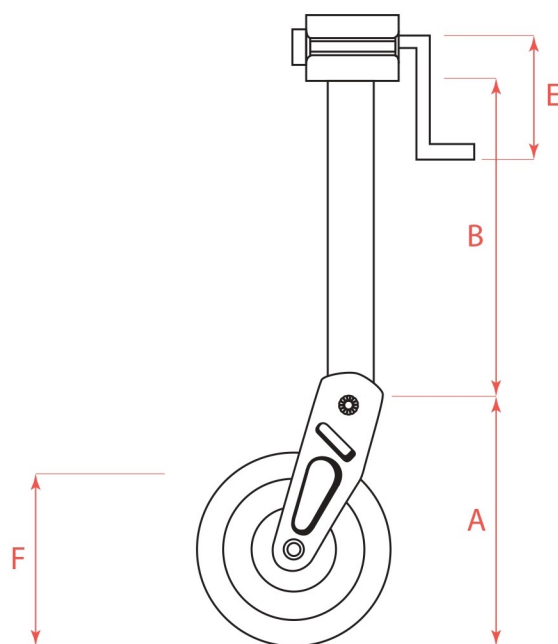


ART. ■	ART. ●	MOD.	B mm	D mm	E mm	A mm	F mm	RUOTA DI FERRO	RUOTA GOMMATA	PORTATA STATICA Kg
011226	118	60x400	390	850	125	310	295	230x60		700
76	119	60x400	390	830	125	290	280		200x60	200
011228	120	70x500	480	960	190	340	280	280x80		800
127	128	70x500	480	960	190	320	290		250x80	300
164		70x500	480	940	190	300	310	230x80		800

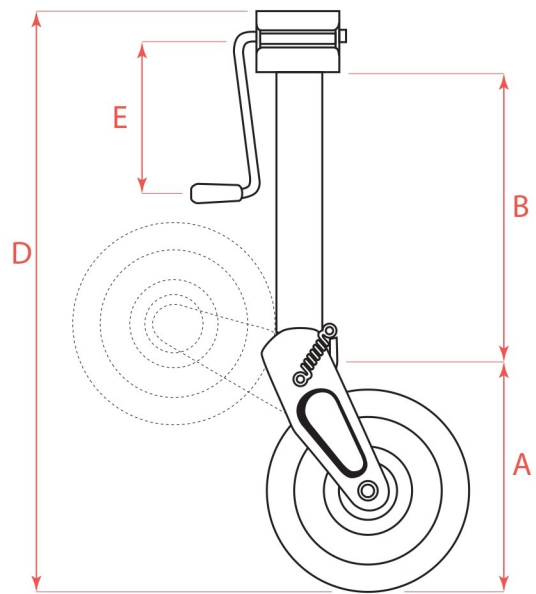


ART. ■	ART. ●	MOD.	B mm	D mm	E mm	A mm	F mm	RUOTA DI FERRO	RUOTA GOMMATA	PORTATA STATICA Kg
70	113	60x400	390	850	125	310	295	230x60		700
71	114	60x400	390	830	125	290	280		200x60	200
72	115	70x500	480	960	190	340	290	280x80		800
73	116	70x500	480	960	190	340	290		250x80	300
131	129	80x500	480	960	190	380	260	300x100		1000
74	117	80x600	580	1100	190	380	260	300x100		1000
132	130	90x500	500	960	190	380	260	300x100		1500
	155	70x500	500	960	190	380	260	300x100		800

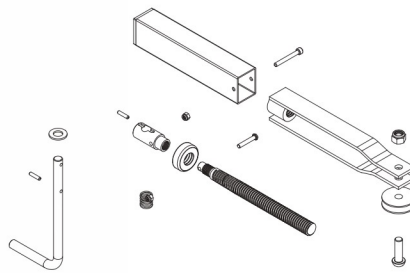
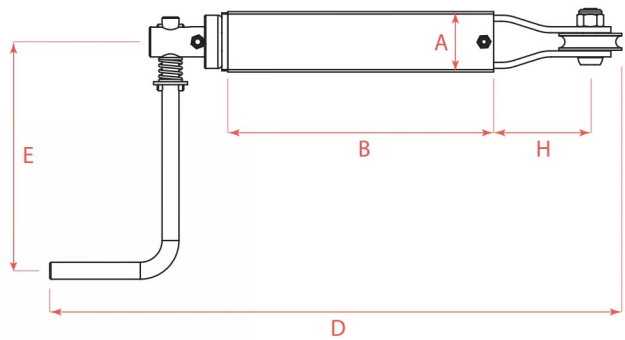




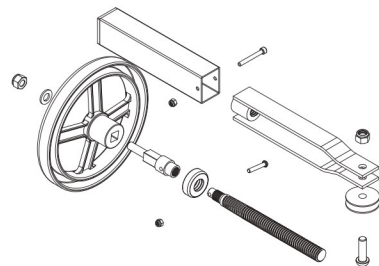
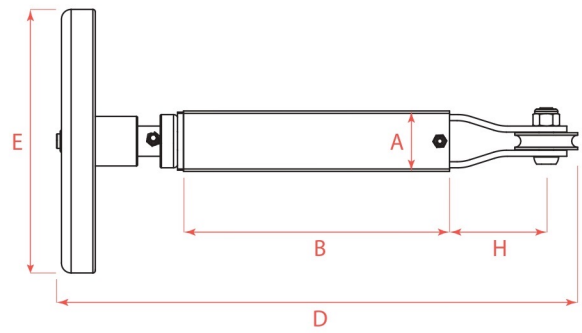
ART.	MOD. ■/●	B mm	A mm	E mm	F mm	RUOTA FERRO	PORTATA STATICA Kg
139/141	70x500	500	340	200	290	280x80	1000
140/142	80x500	500	350	200	260	280x80	1500



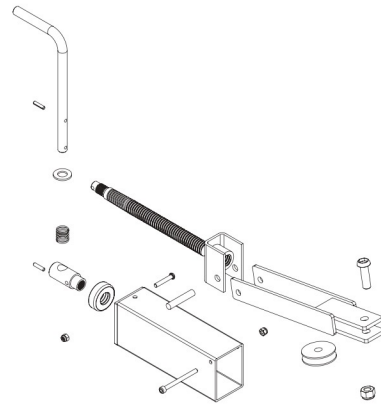
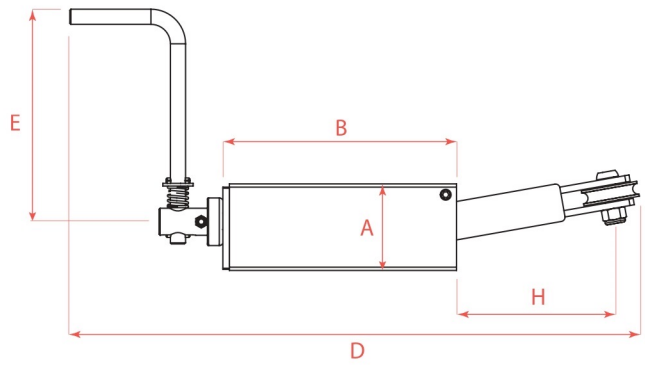
ART.	MOD. ■/●	B mm	D mm	E mm	A mm	RUOTA FERRO	PORTATA STATICA Kg
137/143	70x500	500	980	200	340	280x80	1000
138/144	80x500	500	980	200	350	300x100	1500



ART.	MOD. ■	A mm	B mm	E mm	D mm	H mm
172	50x40	50/40	220	200	620	min.75 max 225

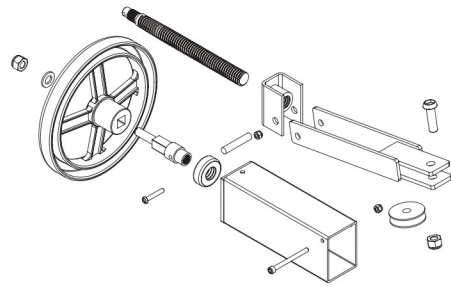
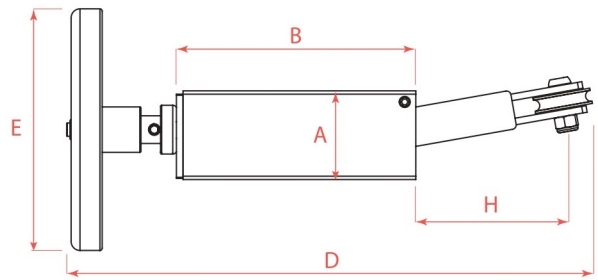


ART.	MOD. ■	A mm	B mm	E mm	D mm	H mm
162	50x40	50/40	220	220	580	min.75 max 225

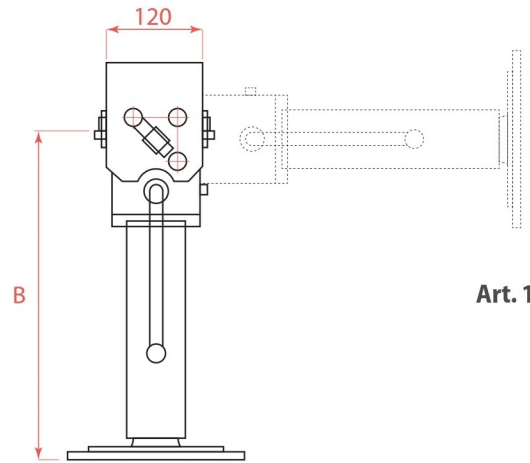
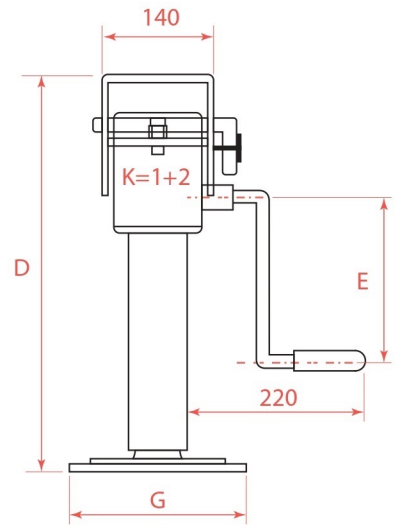


ART.	MOD. ■	A mm	B mm	E mm	D mm	H mm
173	80X60	80/60	220	200	620	min.75 max 225

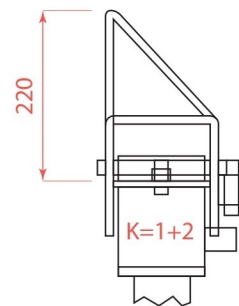
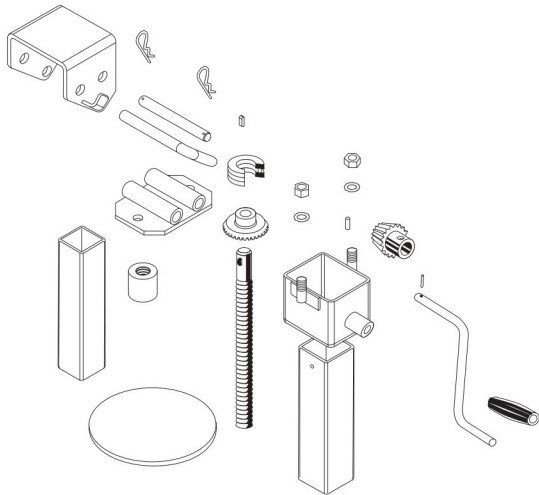




ART.	MOD. ■	A mm	B mm	E mm	D mm	H mm
174	80x60	80/60	220	220	580	min.75 max 225

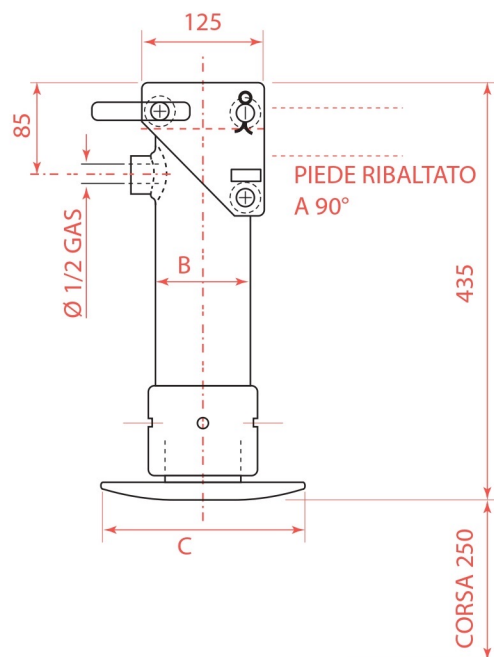


Art. 165



Art. 166

ART.	MOD. ■	B mm	E mm	D mm	ALLUNG. mm	G mm	PORTATA STATICA Kg
018915	70	410	205	490	200	220	4000
166	70	410	205	490	200	220	4000



ART.	CARICO VERTICALE VERTICAL LOAD	Note	A mm	B mm	C mm	D mm
167	100 bar - 3300Kg / 150 bar - 4970Kg	Olio 0,8 lt	65	80	160	CORSA 250
168	100 bar - 5670Kg / 150 bar - 8500Kg	Olio 1,5 lt	85	100	215	CORSA 250